

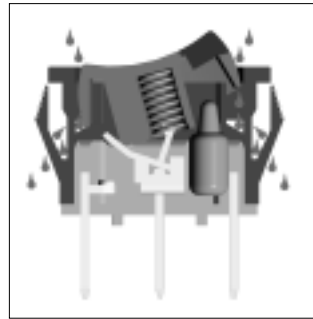
FM series

Snap-in rocker switches - panel cut-out 19 x 13 (.750 x .508)

Distinctive features and specifications

- Illuminated and non-illuminated
- For class II appliances
- VDE and UL approved
- Protection against moisture by double-shell case

When the switch is submitted to moisture (drops, condensation), the double-shell case conducts the liquid outside, thus protecting the contact area and terminals. The liquid dripping inside the equipment resulting from this should be evacuated by adequate arrangement on back of panel.



- Protection by boot

In case of sand or splashing water, the best protection consists of insulating the rocker from these aggressive elements. This can be achieved with transparent PVC boot **U5720**. Order separately, see section H.

AGENCY APPROVALS



EN 61058-1



Availability : functions 1 and 6

Marking : approved models are standard marked.

Dimensions : first dimensions are in mm while inches are shown as bracketted numbers.



Packaging unit : 150 pieces.

FM series

Snap-in rocker switches - panel cut-out 19 x 13 (.750 x .508)

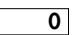
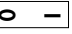
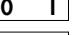
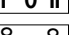

Single pole - non-illuminated

- Approved ratings (functions 1 and 6) :
VDE : 10(4)A 250VAC T85°C - UL : 6A 250VAC & 125VAC T65°C
- Max. contact rating :
 - functions 1 and 6 : see above.
 - function 3 : 4A 250VAC
 - functions 8 and 9 : 6A 250VAC
- Initial contact resistance : 20mΩ max.
- Insulation resistance : 1.000 MΩ min. at 500VDC
- Dielectric strength : - functions 1 and 6 : 2.500 Vrms between terminals
- functions 3, 8 and 9 : 1.500 Vrms between terminals
- Electrical life at full load : 10 000 cycles

- Mechanical life : 30 000 cycles
- Operating temperature :
-20°C to +85°C
- Case, frame, rocker : PA6/6
- Contacts : silver
- Terminals : silver plated
- Panel cut-out :

Panel thickness	Dim. Y	Dim. Z
0,75 to 1,25 mm	19,2 +0/-0,1	12,9 +0,15/-0
1,25 to 2 mm	19,4 +0/-0,1	12,9 +0,15/-0
2 to 3 mm	19,8 +0/-0,1	12,9 +0,15/-0

FM	C			A			0	0	
----	---	--	--	---	--	--	---	---	--

SERIES	Electrical functions	Contacts	Frame colour	Rocker colours	Lamp	Lens colour	Marking *
	1 ON - OFF 3 MOM - OFF 6 ON - ON 8 ON OFF MOM 9 ON OFF ON	A Silver	2 Black Others : on request.	1 Blue 2 Black (std) 3 Green 4 Grey 5 Yellow 6 Red (std) 7 Ivory 7/1 White 9 Orange	0 None	0 No lens	000 None 001  002  003  004  005 
Rocker		Terminals					
C Non illum. Concave		2 Solder lug 8 Quick-conn. 9 Straight PC (funct. 1 & 6)					

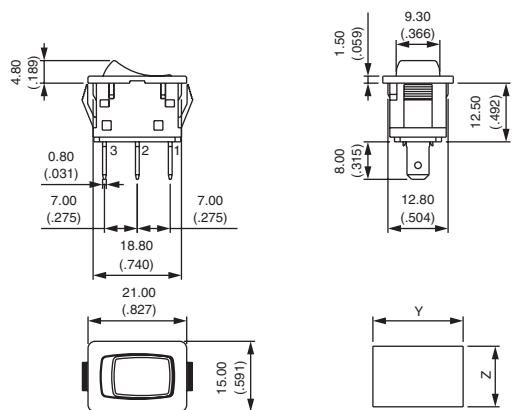
* Colour of marking : white for black rockers - black for other colours - Other : on request.

Single throw and double throw switch



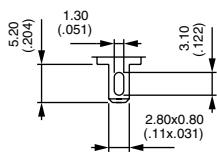
FMC1
FMC3
FMC6
FMC8
FMC9

1-2	2-3
ON - OFF	ON - OFF
MOM - OFF	MOM - OFF
ON - ON	ON - ON
ON OFF MOM	ON OFF MOM
ON OFF ON	ON OFF ON



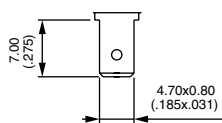
Shown with quick-connect terminals

TERMINALS



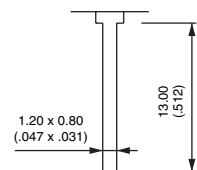
2

Solder lug



8

Quick-connect



9

Straight PC (functions 1 and 6 only)

FM series

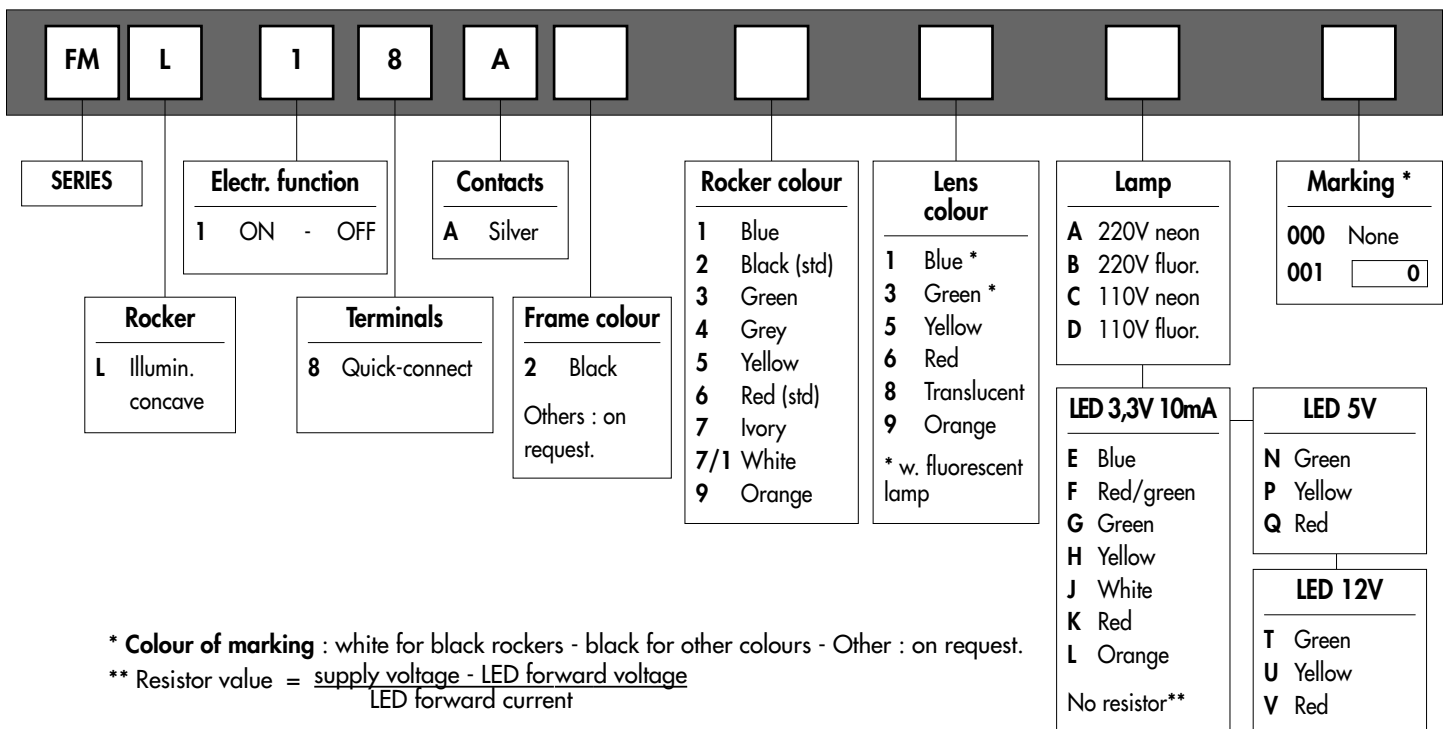
Snap-in rocker switches - panel cut-out 19 x 13 (.750 x .508)

Single pole - illuminated

- Approved ratings :
VDE : 10(4)A 250VAC T85°C - **UL** : 6A 250VAC & 125VAC T65°C
- LED types available :
 3,3V (4V max.) 10mA LED (resistor to be series connected by the user)
 5V or 12V LED with integrated resistor
- Initial contact resistance : 20mΩ max.
- Insulation resistance : 1.000 MΩ min. at 500VDC
- Dielectric strength : 2.500 Vrms between terminals
- Electrical life at full load : 10 000 cycles
- Mechanical life : 30 000 cycles
- Operating temperature: - 20°C to + 85°C

- Case, frame and rocker : PA6/6
- Lens : PC
- Contacts : silver
- Terminals : silver plated
- Lamp terminal : no plating
- Fluorescent lamp for blue or green lens, neon lamp for other colours
- Panel cut-out :

Panel thickness	Dim. Y	Dim. Z
0,75 to 1,25 mm	19,2 +0/-0,1	12,9 +0,15/-0
1,25 to 2 mm	19,4 +0/-0,1	12,9 +0,15/-0
2 to 3 mm	19,8 +0/-0,1	12,9 +0,15/-0



Illuminated switches - quick-connect terminals



FML1

ON - OFF

For LED models, terminal 2 = cathode (-), terminal 3 = anode (-)

