

IA series

Low profile pushbutton switches for harsh environments

Distinctive features - Specifications - Overview

- Resistant to frost, sand and hydrocarbons
- Tactile feedback
- Front panel sealed to IP 67

ELECTRICAL AND GENERAL SPECIFICATIONS

- Max. current/voltage rating with resistive load : 2A 24VDC
- Initial contact resistance : 100mΩ max.
- Insulation resistance : 100 MΩ min. at 500VDC
- Dielectric strength : 500 VAC rms
- Electrical life at full load : 1 000.000 cycles
- **Torque : 0,5 to 1Nm applied to nut**
- Panel thickness : 7 mm (.276) max.
- Total travel : 1,5 mm +/- 0,3 (.059 +/- .012)
- Operating force : 6,5 N ±2N

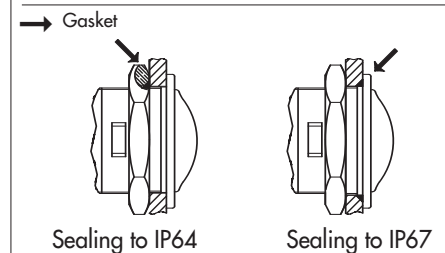
ENVIRONMENTAL SPECIFICATIONS

- Front panel sealing (see drawings opposite) :
 - With O-ring above the panel : IP67
 - With O-ring under the panel : IP64
- Operating temperature : -20°C to +65°C

MATERIALS

- Case/bushing : thermoplastic
- Actuator : polyurethane
- Contacts : silver
- Terminal seal : epoxy

PANEL MOUNTING



IA

SERIES

Shape

R round

Electrical function

- 3 Normally open (NO)
- 5 NC/NO combined

Terminals

F Wire leads

Contacts

1 Silver

Plunger colours

- 1 Blue
- 2 Black
- 3 Green
- 5 Yellow
- 6 Red
- 7/1 White
- 9 Orange

Case colour

00 Black

Dimensions : First dimensions are in mm while inches are shown as bracketed numbers.



A **sealing boot** is available to protect the switches against frost and sand. See section H.



Mounting accessories : Standard hardware supplied : 1 hex nut 19 mm (.748) across flats and 1 gasket. Knurled nut U3327 available on request. This nut is presented in Section I.

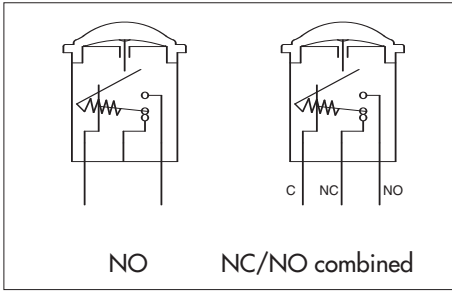


Packaging unit : 25 pieces

IA series

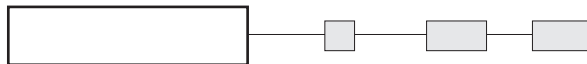
Low profile pushbutton switches for harsh environments

Bushing \varnothing 16 (.629)



- Panel cut-out \varnothing 16,2 mm (.657)
- Min. pitch for matrix mounting :
 - with standard hex nut : 27 x 27 mm (1.062 x 1.062)
 - with knurled nut U3327: 20 x 20 mm (.787x.787)

MODEL STRUCTURE



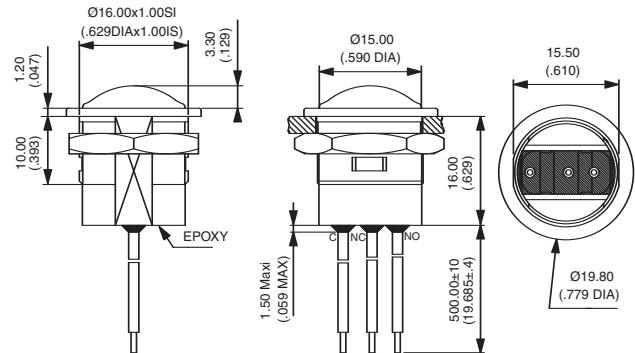
NO model has 2 terminals only.

Models



Normally open (NO)
IAR3F

NC/NO combined
IAR5F



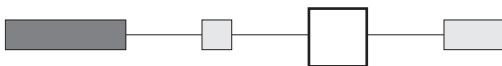
Wire colours (NC/NO) : black = common, brown = NC, blue = NO

CONTACT MATERIAL



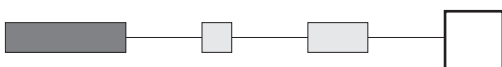
1 Silver

PLUNGER COLOUR



1 : blue - 2 : black - 3 : green - 5 : yellow - 6 : red - 7/1 : white - 9 : orange

CASE COLOUR



00 : black